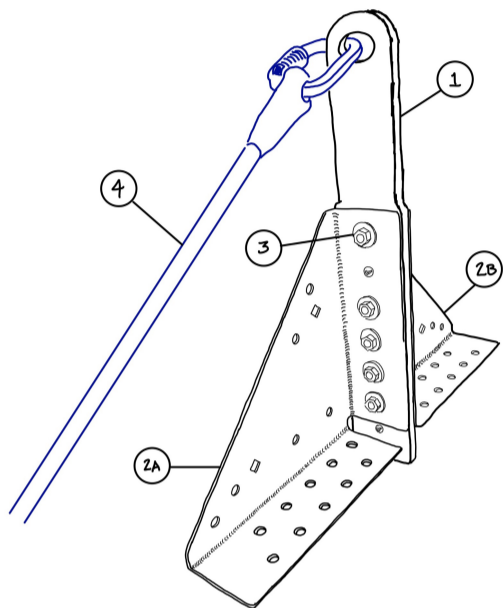




## V-18 Permanent Ridge Anchor System

### Inspection and maintenance requirements:



- Part 1: Anchor Bar
- Part 2: Anchor Brackets
- Part 3: Bracket Bolts
- Part 4: Fall protection system.

#### Inspection and Maintenance Requirements:

The V-18 permanent ridge anchor system is designed to require zero maintenance once installed properly. Only the connector point is visible and exposed to the elements above the roof ridge.

Part 1 is 17-4 stainless steel flat bar 3" wide and either 1/2", 5/8", or 3/4" thick. It may or may not have an "aged" bronze appearance that may occur naturally during the hardening process.

Part 2 may be 11 or 7 gauge steel. It may be stainless steel or painted or plated carbon steel.

Part 3 may be 3/8" - 1/2" grade 8 zinc plated bolts, washers and locknuts.

The anchor system is designed to be completely inspectable from the safety of the attic. Slator, LLC recommends users inspect the anchor, rafters, and wood blocking prior to use. Rafters and lateral blocking (if specified) shall be in good condition (sound and free of splits). All anchor hardware (connecting parts 1 to 2) and the hardware bolting the assembly to the rafters shall be tight. The anchor shall not have any noticeable movement for loads 3,000 pounds or less.

The anchor meets OSHA's 5,000 pound load requirement in any direction. Lateral wood blocking shall be installed between the rafters and connecting to Part 2 if desiring a 5,000 pound load resistance parallel to the roof ridge or expecting the anchor to be loaded in any direction other than parallel to the roof rafters. See manufacturer's instructions for blocking requirements.